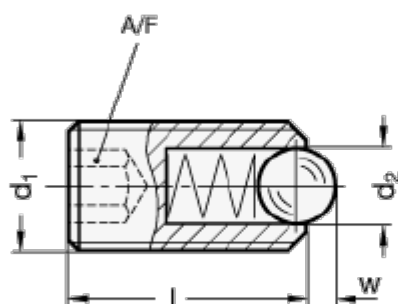


Article number: 206153M8KN

Description: E+G stainless steel spring plungers 615.3-M8-KN

## Measures



Thread locking **PFB**  
Polyamide patch  
for type **KN**



Thread locking **PFB**  
Polyamide patch  
for type **KSN**



Thread locking **MVK**  
Micro encapsulation precote  
(for all types)

A/F	= 4
d1	= M8
d2	= 4.5
l	= 18
Max. spring load in N	= 31
Preload spring pressure in N	= 18
w	= 1.5